

PRODUCT DESCRIPTION

FP-013-00-EN



Resistant, durable and comfortable to use;  
Logo printing option;  
Compatible with 22L and 28L baskets;

2 wheels with a lock;  
A large selection of colors;  
Maximum number of baskets stored - 35 items;

They are used for storing and transporting baskets.

COLORS



RED - RAL 3001  
0670110769



YELLOW - PAN 012C  
0670110768



BLUE - PAN 293C  
0670110770



ORANGE - RAL 2004  
0670110771

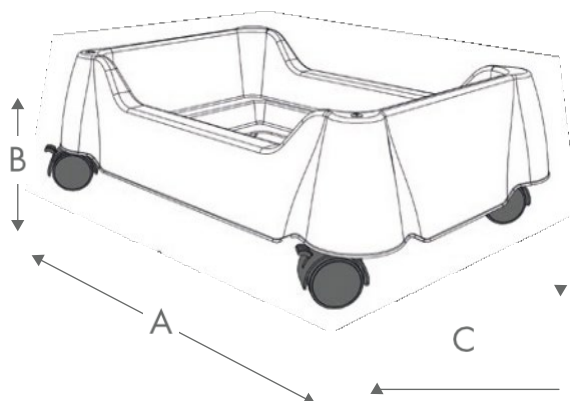


GREEN  
- PAN 357C  
0670110772



BLACK  
0670110767

Dimensions (mm):  
A = 522 B = 175 C = 365



**Logistic**

Box: 4 pieces  
Palette: 16 boxes.